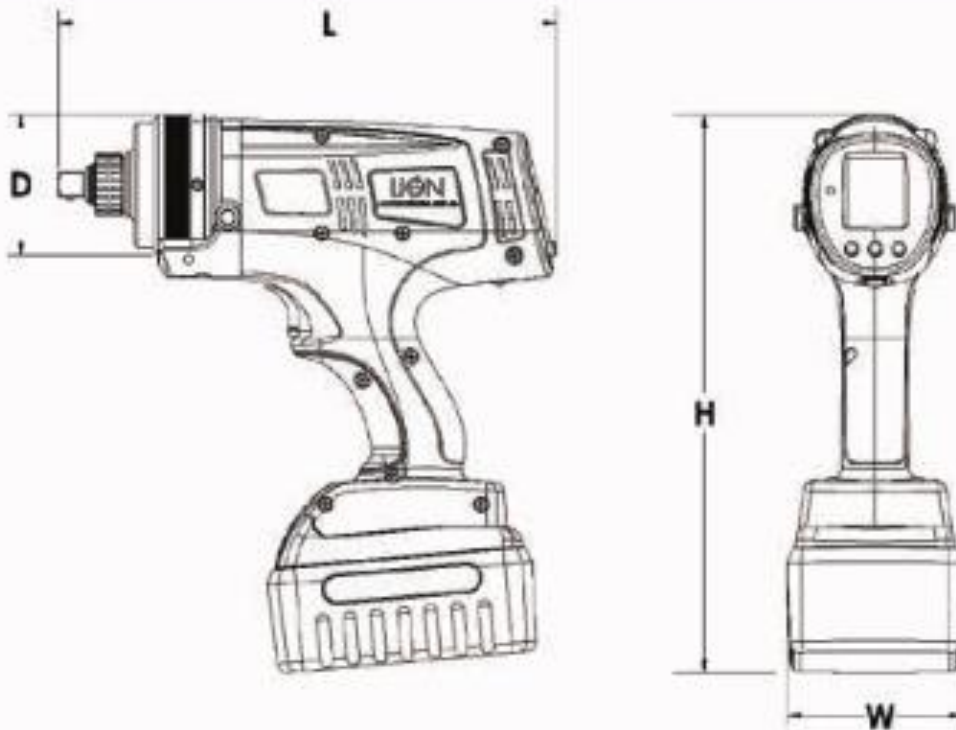


# HYTORC®

## LION GUN Dual Speed Dimensions



LEGEND: H = HEIGHT W = WIDTH L = LENGTH D = DIAMETER

MODEL NUMBER	H	W	L	D	SQUARE DRIVE	WEIGHT WITH BATTERY	TORQUE		RPM	
IMPERIAL				in.		lbs.	ft-lbs (Min)	ft-lbs (Max)	High	Low
LIONGUN-.125-BSM-DS	10.94	3.46	9.78	2.76	1/2	6.85	25	125	167	24
METRIC				mm		kg	Nm (Min)	Nm (Max)	High	Low
LIONGUN-.125-BSM-DS	278	88	284	70	1/2	3.1	33	170	167	24

### COMPLETE KIT CONTENTS

- LION GUN Electric Torque Tool
- Reaction Arm
- Storage Case
- 18V Battery
- Battery Charging System
- Operation Manual
- Side Handle
- Calibration Certificate

**LST**

Model:

LION GUN TOOL

**.125**

Capacity:

Available: .125

**BSM**

Communication:

BSM: Bluetooth  
Wireless Technology

**DS**

DUAL SPEED

DS: Dual Speed